

Cabinets and accessories for power supply



As a supplier of broadband communication technology braun teleCom has stood for competence and continuity for more than 30 years.

With our long experience and constantly growing know-how we have become a leading supplier of systems and system components for multimedia cable TV networks. Further to our traditional CATV product line, consisting of active and passive components, we have continually expanded our range by integrating sophisticated optical system technologies as well as services encompassing CATV and FTTx network planning into our portfolio.

While, in many areas, our activities focus on the development and production of our own products, we also serve as distributor for selected high-performance cooperation partners.

We have set high quality standards for our entire range of products and services, while ensuring that we offer the best possible price-performance ratio to our customers.

braun teleCom
Quality on Line.

CONTENT

1. braun teleCom GmbH COMPANY PROFILE

2. COAXIAL TECHNOLOGY

3. CABINETS AND ACCESSORIES FOR POWER SUPPLY

Cabinets	3
<i>Outdoor cabinets</i>	<i>4</i>
<i>Indoor cabinets</i>	<i>6</i>
Accessories for power supply	7
<i>230 V power sockets and cords</i>	<i>8</i>
<i>MSK remote power supplies</i>	<i>9</i>
<i>Remote power supplies with 48 VAC sec.</i>	<i>10</i>
<i>Remote power supplies with 65 VAC sec.</i>	<i>11</i>

4. OPTICAL SYSTEMS

5. TOOLS

6. CLICK & GO

7. AUTHORIZED DISTRIBUTION

CABINETS

Do you have questions concerning our products or want to place an order?

We look forward to your call!
+49 511 757086

Outdoor cabinets

Outdoor cabinets – solid and safe

- Application**
- Trunk or distribution amplifier cabinet
- Design**
- Removable front cover with cylinder lock for easy installation

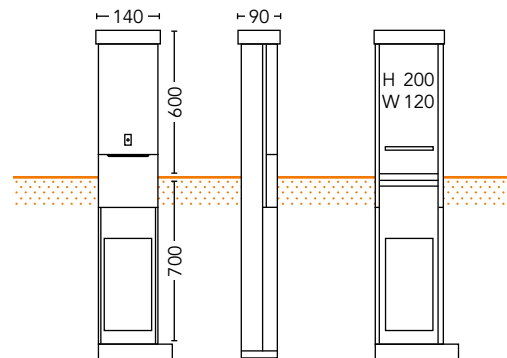
- Cabinet material**
- Basic material galvanized shett steel; 1,5 mm thickness
 - Increased corrosion resistance through phosphating, chromating and 80 µm polyester powder coating of the surface

Cabinet 20-SA-1-MP

Order No. 75320000

Dimensions (H x B x T) [mm]: 200 x 120 x 70
Lock: Triangular lock

Accessories	Description	Order No.
Mounting plate	Wood	75340000
Mounting plate	Wood, metal plated	75341000

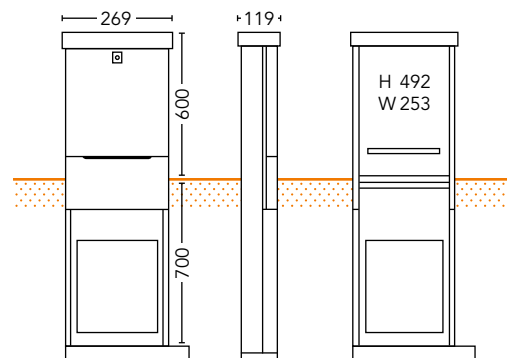


Cabinet 35-SA-2-R

Order No. 75000000

Dimensions (H x B x T) [mm]: 492 x 253 x 92
Lock: RUKO cylinder lock

Accessories	Description	Order No.
Mounting plate	Wood	75020000
Mounting plate	Wood, metal plated	75021000

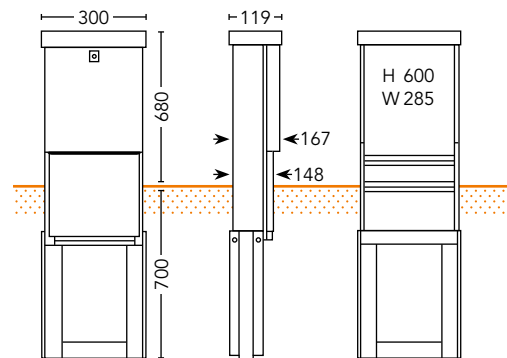


Cabinet 35-SA-2,5-R

Order No. 75080000

Dimensions (H x B x T) [mm]: 600 x 285 x 157
Lock: RUKO cylinder lock

Accessories	Description	Order No.
Mounting plate	Wood	75100000
Mounting plate	Wood, metal plated	75101000

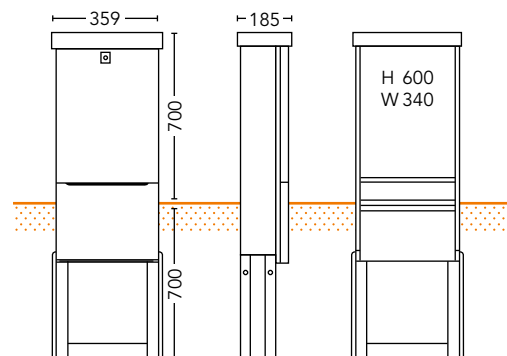


Cabinet 35-SA-3-R

Order No. 75120000

Dimensions (H x B x T) [mm]: 600 x 340 x 159
Lock: RUKO cylinder lock

Accessories	Description	Order No.
Mounting plate	Wood	75140000
Mounting plate	Wood, metal plated	75141000

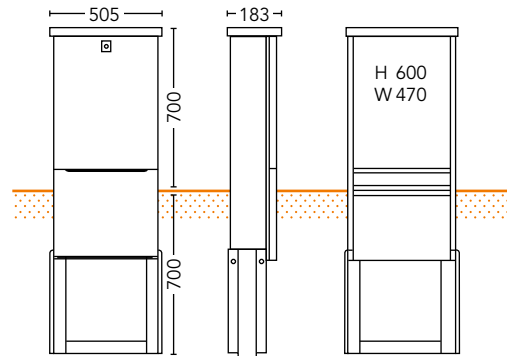


Cabinet 35-SA-4-R

Order No. 75160000

Dimensions (H x B x T) [mm]: 600 x 470 x 158
 Lock: RUKO cylinder lock

Accessories	Description	Order No.
Mounting plate	Wood	75180000
Mounting plate	Wood, metal plated	75181000

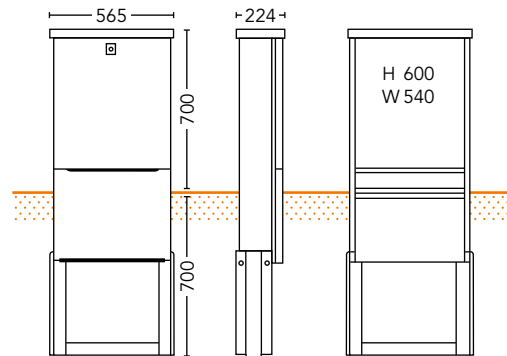


Cabinet 35-SA-6-R

Order No. 75200000

Dimensions (H x B x T) [mm]: 600 x 540 x 198
 Lock: RUKO cylinder lock

Accessories	Description	Order No.
Mounting plate	Wood	75220000
Mounting plate	Wood, metal plated	75221000

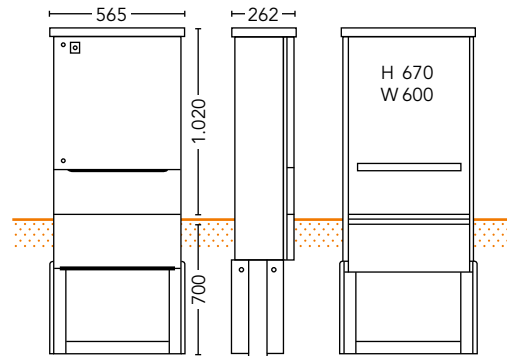


Cabinet 35-SA-7-R

Order No. 75240000

Dimensions (H x B x T) [mm]: 600 x 600 x 230
 Lock: RUKO cylinder lock and triangular lock

Accessories	Description	Order No.
Mounting plate	Wood	75260000
Mounting plate	Wood, metal plated	75261000



Our cabinets,

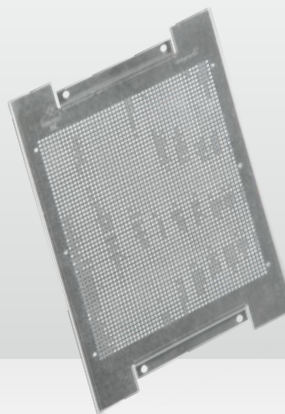
... developed in close cooperation with our customers and manufacturers, have been installed in the cold environment of Iceland as well as in the heat of Saudi Arabia over the years. The cabinets are robust and have a long product life. In terms of insulation and ventilation, they are designed to withstand European climatic conditions. All cabinets are manufactured in conformity with ISO 9001 standards.

Indoor cabinets

with 4-point locking



74908934
IS-34-LB



74993405
Mounting plate

- Steel plated box, 1,2 mm steel plate
- Powder coating grey RAL 7035 (non-peeling, lead and cadmium free)
- Locking with 3 latches turned by 1 lock (basquill lock) and a removable door with Z-profile as 4th latch
- Baton locking system for high safety against burglary must be ordered separately
- 1 uncoated grounding connection is provided in the cabinet and on the door
- Including covers for the openings of the cable gland, 1 sticker "Warning of electrical voltage" and 1 grounding cable 2,5 m
- The cabinets are delivered with fitting IS-xx-perforated-metal-plates with grounding
- Space for cable entrance and exit at the top and the bottom of the housing (100 x 40 mm)
- When using the braun teleCom locking system, the corresponding keys must be ordered separately
- The installation of a customized Baton locking system or an exclusive Baton locking system are of course available on request

Item	Description	Order No.
IS-34-LB	400 x 300 x 200 mm with perforated metal mounting plate, without lock	74908934
IS-44-LB	400 x 400 x 200 mm with perforated metal mounting plate, without lock	74908944
IS-4420-LB	400 x 400 x 200 mm with rear wall, perforated metal mounting plate and hinges, without lock	74914420
IS-63-LB	600 x 400 x 200 mm with perforated metal mounting plate, without lock	74908963
IS-6420-LB	600 x 400 x 200 mm with rear wall, perforated metal mounting plate and hinges, without lock	74916420
IS-66-LB	600 x 600 x 200 mm with perforated metal mounting plate, without lock	74908966
IS-83-LB	800 x 600 x 200 mm with perforated metal mounting plate, without lock	74908983
IS-84-LB	600 x 800 x 250 mm with perforated metal mounting plate, without lock	74908984
IS-8625-LB	800 x 600 x 250 mm with rear wall, perforated metal mounting plate and hinges, without lock	74918625
IS-86-LB	800 x 600 x 320 mm with perforated metal mounting plate, without lock	74908986
IS-88-LB	800 x 800 x 250 mm with perforated metal mounting plate, without lock	74908988
IS-104-LB	1.000 x 800 x 250 mm with perforated metal mounting plate, without lock	74908999
IS-106-LB	1.200 x 800 x 320 mm with perforated metal mounting plate, without lock	74909000

Perforated metal mounting plates

Item	Description	Order No.
Mounting plate	Perforated metal mounting plate for IS-34	74993404
Mounting plate	Perforated metal mounting plate for IS-44	74994404
Mounting plate	Perforated metal mounting plate for IS-63	74996404
Mounting plate	Perforated metal mounting plate for IS-66	74996604
Mounting plate	Perforated metal mounting plate for IS-83	74998404
Mounting plate	Perforated metal mounting plate for IS-88	74998804
Mounting plate	Perforated metal mounting plate for IS-104	74999004

Accessories

Item	Description	Order No.
Baton-Lock-03	Baton lock type 6, closure 03, Unitymedia and VF/KDG locking system	71590003
Baton-Lock-30	Baton lock type 6, closure 30, braun teleCom locking system	71590030
Baton-Lock-HSSL	Baton lock type 6, closure HSSL, VF/KDG nationwide (Germany) locking system	71590054
Key	For braun teleCom locking system 30	71580030
Cover plate	For sealing the cable entry	74908905
Sticker	Lightning – Warning of electrical voltage	43020251
Replacement grounding accessories		70000200

We do not have the perfect indoor cabinet or locking system in our product portfolio yet?

We are happy to provide further cabinet sizes and individual locking systems on request!

ACCESSORIES FOR POWER SUPPLY

Do you have questions concerning our products or want to place an order?

We look forward to your call!
+49 511 757086

230 V power sockets and cords

45400151
Single power socket



45410101
Dual power socket



45199999
Electrical power cord



Surface-mounted power sockets

Item	Description	Order No.
Single power socket	Surface-mounted single power socket IP54, grey, approx. 70 x 70 x 48 mm (W x H x D)	45400151
Dual power socket	Surface-mounted dual power socket IP54, grey, horizontal, approx. 130 x 70 x 48 mm (W x H x D)	45410101
Dual power socket	Surface-mounted dual power socket IP54, grey, vertical, approx. 70 x 130 x 48 mm (W x H x D)	45410105

Electrical power cords

Item	Description	Order No.
Electrical power cord	PVC NYM-J 3x1,5, 50 m	45199999
Electrical power cord	PVC NYM-J 3x1,5, 100 m	45200000

MSK remote power supplies

with 65 VAC sek.



10491030
MSK-865-S

- Plastic encapsulated safety stray field transformer with magnetic voltage stabilisation
- Clamp connection with 2 x PG cable entries
- Short circuit current limiter
- Produced according to VDE 0550/3
- Available as trapezoidal or sinus constant source (T/S)
- Full resin encapsulated

Parameter	MSK-665-T	MSK-665-S	MSK-865-S	MSK-1065-S
Primary mains voltage [VAC]	230 (50 Hz -20 ... +10 %)	230 (50 Hz -20 ... +10 %)	230 (50 Hz -20 ... +10 %)	230 (50 Hz -20 ... +10 %)
Secondary voltage [VAC]	65 Trapezoid	65 Sinus	65 Sinus	65 Sinus
Primary fuse	external 16 A Tr.	external 16 A Tr.	external 16 A Tr.	external 16 A Tr.
Short circuit current limiter secondary	1,6 times I_{nominal}	1,6 times I_{nominal}	1,6 times I_{nominal}	1,6 times I_{nominal}
Load output [VA]	422,5 (max. 5A/65 V)	390 (max. 6,5 A/65 V)	520 (max. 9 A/65 V)	650 (max. 10 A/65 V)
Test Voltage [kV]	2,7	2,7	2,7	2,7
Transient time [ms]	20 ... 40	20 ... 40	20 ... 40	20 ... 40
Safety class	Class II	Class II	Class II	Class II
Insulation class	T 40/B	T 40/B	T 40/B	T 40/B
Ambient temperature max. [°C]	-25 ... +55	-25 ... +55	-25 ... +55	-25 ... +55
Efficiency	85-89 %	85 %	85 %	85 %
Weight [kg]	approx. 23	approx. 23	approx. 26	approx. 28
Dimensions (L x W x H) [mm]	330 x 202 x 180	330 x 202 x 180	330 x 202 x 180	330 x 202 x 180
Order No.	10491010	10491020	10491030	10491040

Remote power supplies with 48 VAC sec.



10490000
FN-04

- Plastic casing safety transformer with clamp connection
- Separately windings – double isolation
- Designed for industrial current supply
- Short circuit protected
- Production acc. to EN 60742 Class II (VDE 0551)
- Approved by DEMKO, NEMKO, SETI

Parameter	FN-01	FN-21	FN-23	FN-03	FN-04
Primary mains voltage [VAC]	N-230-250 (50 – 60 Hz)	N-230-250 (50 – 60 Hz)	N-230-250 (50 – 60 Hz)	N-230-250 (50 – 60 Hz)	N-230-250 (50 – 60 Hz)
Secondary voltage [VAC]	0-42-48	0-42-48	0-42-48	0-42-48	0-42-48
Primary fuse	–	0,8 AT	–	4 A	4 A
Secondary fuse	6,3 AT	–	2,5 AT	12 A Automat	–
Load output [VA]	240 (max. 5,7 A/42 V, 5 A/48 V)	60 (max. 1,4 A/42 V, 1,25 A/48 V)	120 (max. 2,85 A/42 V, 2,5 A/48 V)	420 (max. 10 A/42 V, 8,75 A/48 V)	580 (max. 12 A/48 V)
Test voltage [kV]	4	4	4	4	4
Safety class (EN 60742)	Class II double isolated	Class II double isolated	Class II double isolated	Class II double isolated	Class II double isolated
Isolation class	B (130°)	B (130°)	B (130°)	B (130°)	B (130°)
Ambient temperature max. [°C]	-10 ... +50	-10 ... +50	-10 ... +50	-10 ... +50	-10 ... +50
Overcharging protection	TCO Fuse 152° prim.	TCO Fuse 152° prim.	TCO Fuse 152° prim.	TCO Fuse 152° prim.	TCO Fuse 152° prim.
Protection class	IP 44	IP 44	IP 44	IP 44	IP 44
Weight [kg]	4,1	1,3	2,5	7,7	7,7
Dimensions (L x W x H) [mm]	152 x 105 x 93	113 x 73 x 61	131 x 91 x 81	200 x 130 x 115	200 x 130 x 115
Order No.	10460000	10460200	10460300	10480000	10490000

Remote power supplies with 65 VAC sec.



10490500
FN-14

- Plastic casing safety transformer with clamp connection
- Separately windings – double isolation
- Designed for industrial current supply
- Short circuit protected
- Production acc. to EN 61558-2-41 (VDE 0551)
- Approved by DEMKO, NEMKO, SETI
- For ambient temperatures up to +55°C

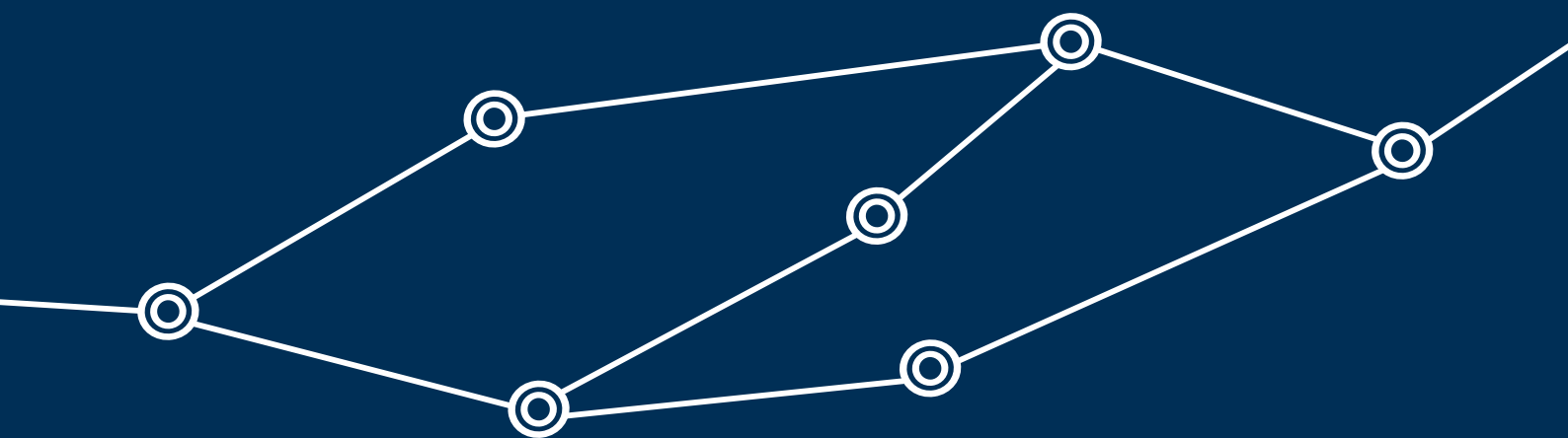
Parameter	FN-11	FN-13	FN-14
Primary mains voltage [VAC]	N-230-250 (50 – 60 Hz)	N-230-250 (50 – 60 Hz)	N-230-250 (50 – 60 Hz)
Secondary voltage [VAC]	0-65	0-65	0-65
Primary fuse	3,15 AT	4 A	6,3 A
Secondary fuse	5 A Automat	8 A Automat	10 A Automat
Load output [VA]	325 (max. 5 A/65 V)	520 (max. 8 A/65 V)	650 (max. 10 A/65 V)
Test voltage [kV]	4	4	4
Safety class (EN 60742)	Class II double isolated	Class II double isolated	Class II double isolated
Isolation class	B (130°)	B (130°)	B (130°)
Ambient temperature max. [°C]	-10 ... +50	-10 ... +50	-10 ... +50
Overcharging protection	TCO Fuse 152° prim.	TCO Fuse 152° prim.	TCO Fuse 152° prim.
Protection class	IP 44	IP 44	IP 44
Weight [kg]	6,7	7,9	12,5
Dimensions (L x W x H) [mm]	200 x 130 x 115	200 x 130 x 115	235 x 162 x 140
Order No.	10460500	10480500	10490500

Do you have questions concerning our products or want to place an order?

We look forward to your call!

+49 511 757086

braun teleCom
Quality on Line.



braun teleCom
Quality on Line.

braun teleCom GmbH
Mercurstr. 3 c
30419 Hanover
Germany

Phone +49 511 757086
Fax +40 511 753169
info@brauntelecom.de
www.brauntelecom.com